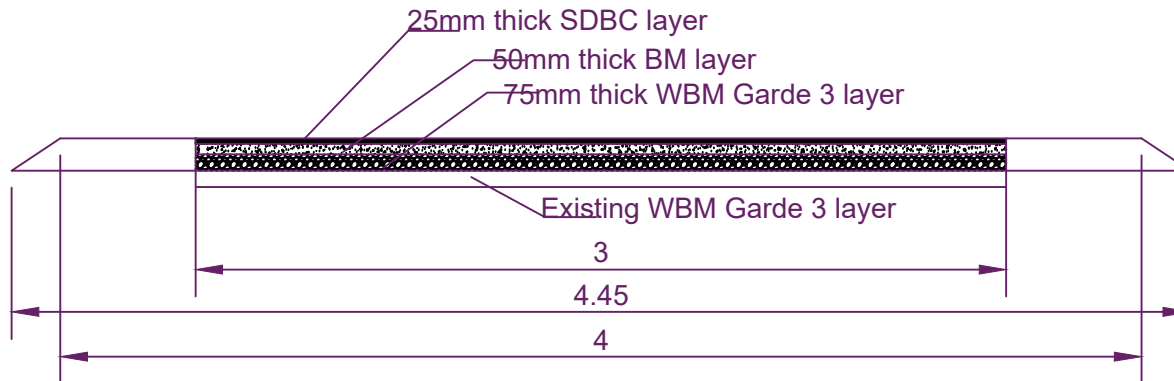


TYPICAL CROSS SECTION OF BITUMINOUS ROAD (3.75m width)



TYPICAL CROSS SECTION OF BITUMINOUS ROAD (3.0m width)