



Expression of Interest

for Leasing of Dark Fibres of OPGW installed
in AEGCL's Optical Fibre Network

By

Assam Electricity Grid Corporation Limited
Registered Office: (FIRST FLOOR), BIJULEE BHAWAN
PALTANBAZAR; GUWAHATI -781001

EOI No.: AEGCL/MD/BD-Marketing/Tech-931/EOI OPGW/2021/10

Date: 16.02.2022

PHONE: 0361-2739520

Web: www.aegcl.co.in

Expression of Interest for Leasing of Dark fibres of OPGW installed in
AEGCL's Optical Fibre Network

EOI No.: AEGCL/MD/BD-Marketing/Tech-931/EOI OPGW/2021/10
Date:16.02.2022

CONTENTS

| | |
|-------------|---|
| Section-I | Expression of Interest |
| Section-II | General Information and Terms & Conditions |
| Section-III | Topographic Information and OPGW Length |
| Section-IV | Application and Schedules* |

(* The application and Schedules contained in Section-IV are to be submitted
by the Interested Applicant duly filled in, signed and stamped on each
page.)

SECTION I- EXPRESSION OF INTEREST

ASSAM ELECTRICITY GRID CORPORATION LIMITED

Expression of Interest for Leasing of spare dark Fibres of OPGW installed in AEGCL Optical Network

EOI NO.: AEGCL/MD/BD-Marketing/Tech-931/EOI OPGW/2021/10

Date:16.02.2022

1.0 INTRODUCTION:

Assam Electricity Grid Corporation Limited (AEGCL), a vibrant growth oriented Public Sector Company registered under 'Company Act, 1956'. It was formed out of restructured Assam State Electricity Board in 2003 and was notified as the State Transmission Utility (STU). Its core business is to efficiently transport electrical power from electrical power bulk heads to the distribution company networks in the state of Assam.

Presently AEGCL own 68 numbers of EHV Grid substations and 5713 Circuit Kilometres of transmission line spreading all over Assam.

AEGCL has around 1500 kms of reliable overhead 24 cores (12 pairs) Optical Fibre network. Out of which 6 cores (3 Pair) of optical fibre is used and kept for AEGCL operational and automation requirement and the remaining 18 cores (9 pairs) of fibres are free at present and can be used for Telecom Services. On the basis of present project roll out, total length of optical fibre will be more than 2700 kms. AEGCL has presence in all the towns and cities in Brahmaputra Valley, where population density is highest in the State.

2.0 Intent of EOI:

AEGCL intends to lease out Spare Dark Fibres to interested reputed Internet Service providers /Telecom operator /Companies in India.

AEGCL is interested in offering its spare OPGW Dark Fibres for commercial Telecom use on as is where is basis. These spare fibres owned by AEGCL are presently not in use and available for use by the party to whom spare fibres shall be leased out. However, AEGCL reserves its first right to use the above spare fibres in case such need arises. In such case AEGCL may use leased out fibres subject to mutual consent. In case fibres are not available or lessee is not agreeable to allow usage by AEGCL, AEGCL shall have right to terminate lease agreement on six (6) months' notice. In case of termination of agreement, lease charges shall be payable in proportion to the time, spare fibres have been rented on lease.

3.0 Expression of Interest (EOI):

AEGCL hereby invites applications for Expression of interest from interested parties who wish to utilize the offered spare fibres on commercial (as passive infrastructure) basis. Applicants shall ensure that they meet the Eligibility Criteria as defined at Para 4.0 and Qualifying requirements as defined in Para 5 below.

The application shall be submitted strictly as per AEGCL format along with relevant supporting documents in support of meeting Eligibility Criteria. AEGCL will consider the applications for suitability in line with the terms and conditions brought out hereunder and shortlist the bidders based on the information provided by them vide this Expression of interest.

AEGCL may call the parties who have submitted their Expression of Interest for a pre bid discussions regarding the terms & conditions for leasing of spare dark OPGW fibres limitations if any and to comply to the queries of the applicants. Finally commercial and price bids shall be invited from the shortlisted bidders on terms and conditions finalized by AEGCL. Applicants finally selected based on the bidding process will be invited to enter into definitive Commercial Agreement to this effect. **Leasing of fibres shall be through a Lease Agreement to be signed between the Party, hereinafter referred to as Lessee and AEGCL.**

4.0 Eligibility Criteria:

This Invitation for Proposals issued by the AEGCL is open to all firms including company(ies), Government owned Enterprises registered and incorporated in India as per Companies Act, 1956 or 2013.

5.0 Qualifying Requirement and documents to be submitted along with EoI:

Qualification of bidder will be based on meeting the qualifying criteria specified below regarding bidder's commercial and technical credibility.

The bidders are required to furnish the following documents (commercial & technical) to assess the capacity and capability of the bidder.

5.1 Commercial:

- i) Certificate of incorporation
- ii) Goods & Service tax registration certificate
- iii) Audited balance sheet and profit & loss account for last three financial year.
- iv) Copy of PAN

5.2 Technical

- i) The bidder must be an Internet Service Provider/ Telecom operator /Other Company having own telecom network and possess a valid Telecom License/ permission/ clearance from the concerned Licensing Authority i.e., Dept of Telecom, Govt. of India for the intended telecom business envisaged by utilizing AEGCL dark fibres. Bidder has to submit document in support of the same.

6.0 Statutory clearances and approvals etc. required for setting up the last mile connectivity shall be taken up by the Service providers at their own risk and cost.

7.0 Service providers shall develop, finance, design, construct, own, maintain, operate and repair the telecom infrastructure established by them under the last mile connectivity. This would include assets such as Optical Telecom Termination Equipment (OLTE), Networking Equipment and Associated Cabling (including earthing) as well as the related infrastructure such as shed, DG Set, Battery bank, Air conditioning and telecom equipment etc. AEGCL shall have no role in this. However, based on availability of space at AEGCL premises. AEGCL may lease out the space on rent basis.

8.0 General information and Terms & Conditions: -

General information and terms & conditions regarding lease of spare dark fibres of OPGW are enclosed herewith in **section-II**.

9.0 List of AEGCL's OPGW Lines: -

The list of OPGW lines available for lease have been provided in **Section-III**.

10.0 Schedule of Activities: -

AEGCL invites Expression of Interest from experienced parties for the subject EoI. The completed Expression of Interest shall be received up to 09.03.2022 & 15:00Hrs.

AEGCL shall have the right to extend the EOI submission date if it deems fit.

The details of Qualifying Requirements are mentioned at Para 5.0 above. Any updates to the EOI Document shall be uploaded on our website only. The interested applicants are requested to ensure that all updates are considered while submitting the EOI.

11.0 Contact Officer: -

All correspondence, clarification and submission of Expression of Interest documents shall be addressed to: -

Chief General Manager (PP&D)
O/o the Managing Director,
Assam Electricity Grid Corporation Limited,
1st Floor, Bijulee Bhawan,
Paltanbazar, Guwahati-01
Email: gm.mpr@aegcl.co.in/dgm.bdt@aegcl.co.in
Contact person: Dhriti Lochan Hazarika, AGM(BD), Mobile No.-9706420782

On expiry of EOI date, only selected parties who have submitted EoI shall be intimated for a pre-bid meeting on scheduled date & time for finalization of terms & condition and bid documents.

SECTION-II- GENERAL INFORMATION AND TERMS & CONDITIONS

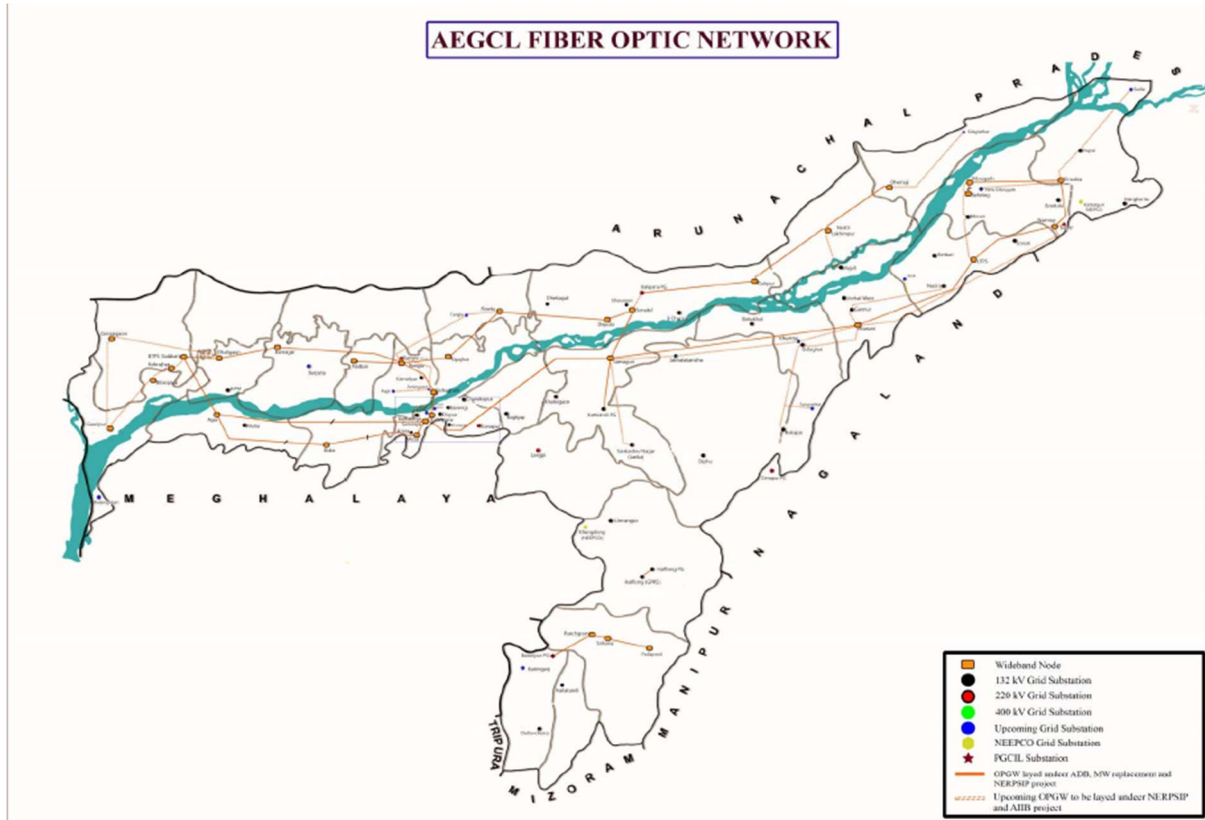
- 1.0** List of OPGW Lines proposed to be leased is enclosed along with length in Kms & end stations.
- 2.0** Fibres shall be leased for a minimum period of five years subsequently lease can be renewed on annual basis as per mutually agreed terms and conditions for a further period of 5 years.
- 3.0** OPGW fibres shall be leased on as is where is basis.
- 4.0** Space of suitable area will be provided for construction of shelter/kiosk by the Lessee for erection of shed for housing of indoor equipment in AEGCL premises subject to availability of space at rent.
- 5.0** DC supply be arranged/provided by Lessee. For AC supply, AEGCL may assist in availing connection from DISCOM.
- 6.0** 10% of five-year charges shall be payable as Security deposit. Lessee shall pay lease charges on annual basis in advance with applicable taxes to the Lessor.
- 7.0** Maintenance of the OPGW fibres shall be carried out by AEGCL.
- 8.0** There shall be restricted entry to the AEGCL premises. Identity cards for authorized personnel of the Operator shall be issued for the maintenance of their equipment. However, during construction of the room and installation of their equipment temporary passes shall be issued by the concerned officer of AEGCL.
- 9.0** On completion of lease period, Lessee shall withdraw all installations and hand over the site in clear condition.
- 10.0** Lessee shall obtain no dues certificate from Lessor on completion of Lease period.
- 11.0** These terms are proposed terms by AEGCL. However, intended users are free to suggest modification/change/propose new terms which may or may not be considered by AEGCL before inviting bids for leasing of spare fibres. Those party who have not submitted the EOI document, their suggestions may not be entertained by AEGCL.
- 12.0** AEGCL reserved the rights to cancel the EOI without any reason.
- 13.0** AEGCL decision shall be full and final and no parties shall have the right to question the decision of AEGCL.

Note: The terms and conditions stated above are not final and subject to change or pre bid meeting to be convened after expiry of the EOI date.

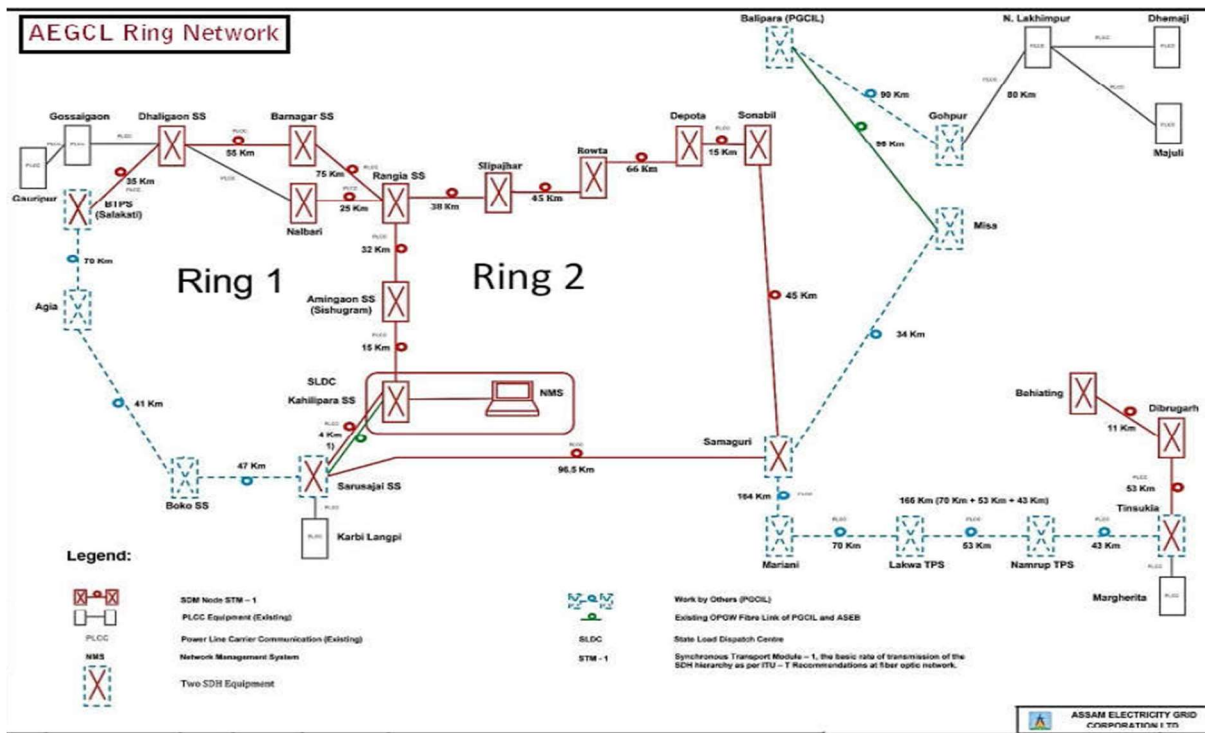
Chief General Manager (PP&D)
O/o the Managing Director,
Assam Electricity Grid Corporation Limited

SECTION III: TOPOGRAPHIC INFORMATION AND OPGW LENGTH

1.0 AEGCL FIBER OPTIC NETWORK:



2.0 AEGCL RING NETWORK:



3.0 Existing OPGW links of AEGCL:

| SI No | Link Name | Line Length (in KM) |
|-------|--------------------------------------|------------------------|
| 1 | BTPS Salakati - Dhaligaon | 20.593 |
| 2 | Dhaligaon - Barnagar | 42.652 |
| 3 | Barnagar - Rangia | 80.976 |
| 4 | Rangia - Nalbari | 22.912 |
| 5 | Rangia - Amingaon | 35.816 |
| 6 | Amingaon - Kahilipara | 12.032 |
| 7 | Rangia - Sipajhar | 39.103 |
| 8 | Sipajhar - Rowta | 45.666 |
| 9 | Rowta - Depota | 66.912 |
| 10 | Depota - Sonabil | 18.567 |
| 11 | Sonabil - Samaguri | 52.591 |
| 12 | Sarusajai - Kahilipara | 4.185 |
| 13 | Sarusajai - Samaguri | 133.424 |
| 14 | Tinsukia - Dibrugarh | 50.929 |
| 15 | Dibrugarh - Behiating | 9.301 |
| 16 | BTPS Salakati - Agia | 68.944 |
| 17 | Agia - Boko | 69.843 |
| 18 | Boko - Mirza | 40.803 |
| 19 | Mirza - Sarusajai | 25.078 |
| 20 | Balipara (PG) - Gohpur | 103.832 |
| 21 | Tinsukia - Namrup | 44.687 |
| 22 | Namrup - Lakwa | 60.714 |
| 23 | Lakwa - Mariani | 82.586 |
| 24 | Badarpur (PG) - Panchgram (Badarpur) | 1.03 |
| 25 | Panchgram (Badarpur) - Srikona | 19.58 |
| 26 | Srikona - Pailapool | 35.342 |
| 27 | Pailapool - Jiribam (PG) | 13.422 |
| 28 | Mariani - Samaguri | 175.688 |
| 29 | Dhemaji - N. Lakhimpur | 77.00 |
| 30 | N Lakhimpur - Gohpur | 63.00 |
| | Total (km) | 1517.21 |

4.0 Upcoming OPGW links of AEGCL:

| Sl. No. | Link Name | Line Length (km.) |
|--------------|--|-------------------|
| 1 | Bokajan – Golaghat | 66 |
| 2 | Golaghat – Mariani | 45 |
| 3 | Mariani - Garmur (Jorhat) | 20 |
| 4 | Garmur (Jorhat) – Nazira | 22 |
| 5 | Sonabil – Balipara | 28 |
| 6 | Samaguri - Shankardev Nagar | 60 |
| 7 | Rowta - Tangla – Rangia | 120 |
| 8 | Amingaon (220 KV) – Hazo | 16 |
| 9 | Kamakhya - Paltan Bazar | 7 |
| 10 | Kahilipara – GMCH | 5 |
| 11 | Chaparkhowa – Rupai | 53 |
| 12 | Tezpur – Sonabil | 15 |
| 13 | Dhemaji - Silapathar | 36 |
| 14 | Bokajan - Sorupathar - Golaghat | 71 |
| 15 | Jorhat - Teok - Nazira | 27 |
| 16 | Gauripur - Gossaigaon | 61.18 |
| 17 | Gauripur - Bolasipara | 37.6 |
| 18 | Bilasipara - Kokrajhar | 24.2 |
| 19 | Kokrajhar - Salakati | 10 |
| 20 | Gossaigaon - Dhaligaon | 64 |
| 21 | Samaguri - Jakhalabandha - Khumtai – Mariani | 170 |
| 24 | Mariani – Namrup | 146 |
| 25 | Lakwa - Moran - Behiating - Dibrugarh | 80 |
| 28 | North Lakhimpur - Majuli | 45 |
| Total | | 1229.00 |

5.0 Geographical location covered district-wise:

| SL No. | District | Fibre Connectivity to Guwahati | Remarks |
|--------|--------------------------|--------------------------------|---|
| 1 | Tinsukia | Yes | |
| 2 | Dibrugarh | Yes | |
| 3 | Dhemaji | Yes | |
| 4 | Charaideo | Yes | Through LTPS. |
| 5 | Sivsagar | Upcoming. | Nazira GSS under NERPSIP project. |
| 6 | Lakhimpur | Yes | |
| 7 | Majuli | Upcoming | AIB Project. |
| 8 | Jorhat | Yes | Through Mariani GSS |
| 9 | Biswanath | Yes | Through Gohpur GSS. |
| 10 | Golaghat | Upcoming | NERPSIP Project. |
| 11 | Karbi Anglong | No | |
| 12 | Sonitpur | Yes | Depota GSS, Sonabil GSS |
| 13 | Nagaon | Yes | Samaguri GSS. |
| 14 | Hojai | Upcoming | Sankardevnagar GSS under NERPSIP |
| 15 | Karbi Anglong west | No | |
| 16 | Dima Hasao | Yes (Through PGCCIL Network) | |
| 17 | Cachar | Yes (Through PGCCIL Network) | |
| 18 | Hailakandi | No | |
| 19 | Karimganj | No | Upcoming though PGCCIL network. |
| 20 | Morigaon | Yes. | Can be tapped from Sarusajai-Samaguri TL. |
| 21 | Udalguri | Yes | Through Rowta GSS |
| 22 | Darang | Yes | Sipajhar GSS. |
| 23 | Kamrup Metro | Yes | Kahilipara GSS, Sarusajai GSS |
| 24 | Baksa | No | |
| 25 | Nalbari | Yes | Through Nalbari GSS |
| 26 | Kamrup Rural | Yes | Amingaon (Sishugram) GSS, Rangia GSS. |
| 27 | Barpeta | Yes | Can be tapped from Rangia-Barnagar TL. |
| 28 | Chirang | Yes | Dhaligaon GSS, Can be tapped from DHL-Salakati TL |
| 29 | Bongaigaon | Yes | Can be tapped from DHL-Salakati TL |
| 30 | Goalpara | Yes | Through Agia GSS |
| 31 | Kokrajhar | Yes | Through Salakati GSS, upcoming Kokrajhar GSS under AIB project. |
| 32 | Dhubri | Upcoming | AIB Project. |
| 33 | South Salmara, Mankachar | No | |
| 34 | Bajali | Yes | Can be tapped from Rangia-Barnagar TL. |

SECTION-IV: APPLICATION AND SCHEDULES

To
Chief General Manager (PP&D)
O/o the Managing Director
Assam Electricity Grid Corporation Limited

Sub: - Expression of Interest for Leasing of Dark fibres of OPGW installed in AEGCL's Optical Fibre Network.

Dear Sir,

1.0 Having examined the document "Expression of Interest for **Leasing of dark Fibres of OPGW installed in AEGCL Optical Fibre Network**. I the undersigned, express my interest for the same.

2.0 In line with the requirements of "Expression of Interest", I submit herewith the following information / data / documents:

A. Application format:

| | | |
|-------|---|--------|
| 1 | Name of the firm | |
| 2 | Full Address Telephone No. Fax No. Contact Person and Mobile No. E-mail Website | |
| 3 | Purpose of Leasing | |
| 4 (a) | Interested for leasing all length of fibre? | Yes/No |
| 4 (b) | If not, length of fibre (portion wise) interested for lease to be submitted in KMs as mentioned in Serial No. 3 & 4 of Section-III. | |
| 5 | Goods & Service Tax no. Submitted? | Yes/No |
| 6 | Copy of MoU and Article of Association attached? | Yes/No |
| 7 | Internet Service License/ Telecom License/ permission/ clearance from the concerned Licensing Authority i.e., Dept of Telecom, Govt. of India attached? | Yes/No |
| 8 | Area/ circle where telecom services is being currently provided by the party | |
| 9 | Certificate in support of experience submitted | Yes/No |
| 10 | Balance sheets for last two financial years submitted | Yes/No |
| 11 | Brief write up about the organisation should be submitted | Yes/No |

For and on behalf of bidder company
(Signature of Authorised representative)