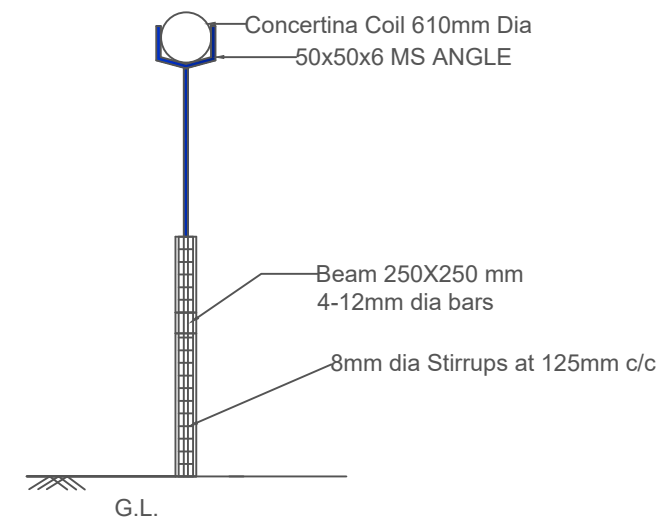


ELEVATION DRAWING FOR EXTENSION OF BOUNDARY WALL



SECTION AT COLUMN

Note: All dimensions are in mm